

Total No. of Questions : 8]

SEAT No. :

P-9072

[Total No. of Pages : 5

[6178]-7

F.E.

**ENGINEERING MECHANICS**  
**(2019 Pattern) (Semester - I) (101011)**

Time : 2½ Hours]

[Max. Marks : 70

Instructions to the candidates:

- 1) Answer Q. 1 or Q. 2, Q. 3 or Q. 4, Q. 5 or Q. 6 and Q. 7 or Q. 8.
- 2) Neat sketches must be drawn wherever necessary.
- 3) Figures to the right indicate full marks.
- 4) Assume suitable data, if necessary.
- 5) Use of electronic pocket calculator is allowed.
- 6) Use of cell phone is prohibited in the examination hall.

- Q1)** a) A 1.5 m cable placed around a crate as shown in Fig. 1 a. If the mass of the crate is 300 kg, determine the tension in the cable. [7]
- b) A rectangular plate is supported horizontally by three cables at A, B and C as shown in Fig. 1 b. If weight of the plate is 350 N, determine the tensions in the cables at A, B and C. [7]

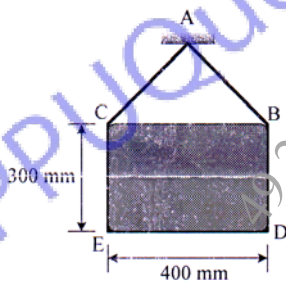


Fig. 1 a

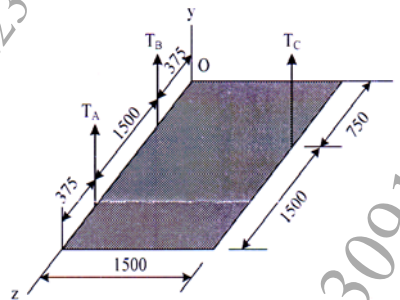


Fig. 1 b

- c) State the component of reaction at roller, hinged, fixed and rocker support. [4]

OR

- Q2)** a) The boom is intended to support two vertical loads,  $F_1$  and  $F_2$  as shown in Fig. 2 a. If the cable CB can sustain a maximum load of 1500 N before it fails, determine the critical loads  $F_1$  and  $F_2$  if  $F_1 = 2F_2$ . Also determine the reaction at A. [7]

P.T.O.

- b) Three parallel bolting forces act on the rim of the circular plate as shown in Fig. 2 b. Determine the magnitude, nature and point of application of the resultant force with respect to origin O. [7]

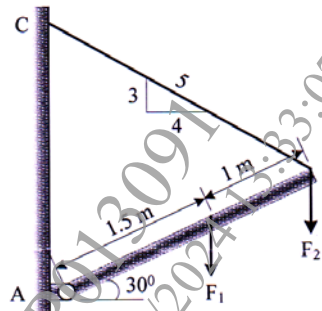


Fig. 2 a

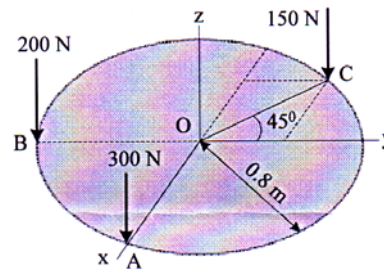


Fig. 2 b

- c) Find support reaction at A and B for the beam AB as shown in Fig. 2 c. [4]

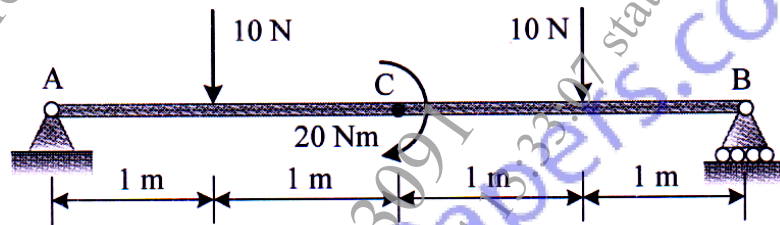


Fig. 2 c

- Q3) a) Identify the zero force members and find forces in the remaining members for the pin jointed truss as shown in Fig. 3 a. [7]

- b) The cable segment supports the loading as shown in Fig. 3 b. Determine the support reactions at A and B. Also find maximum tension in segment of the cable. [7]

- c) Differentiate truss and frame with suitable sketch. [4]

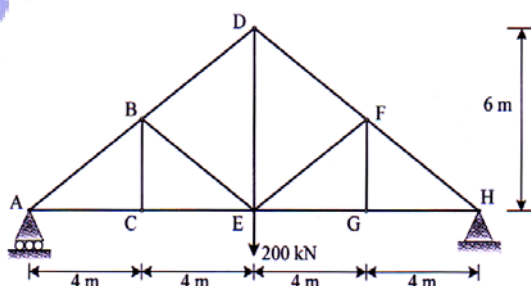


Fig. 3 a

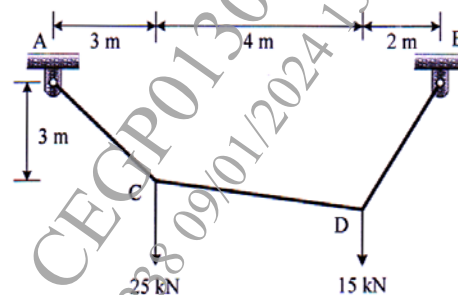
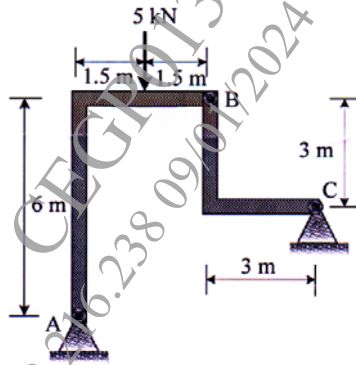


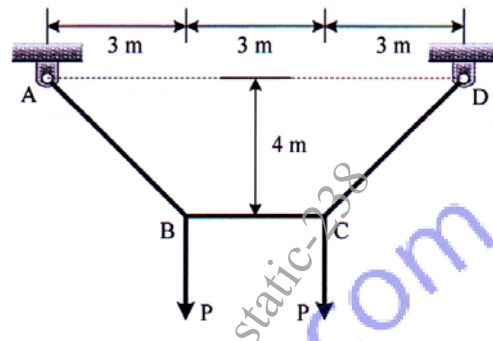
Fig. 3 b

OR

- Q4)** a) Determine the forces in the members CE, BE and BD of the truss as shown in Fig. 3 a. [7]
- b) Determine the components reaction acting on each members AB and BC of a frame as shown in Fig. 4 b. [7]
- c) The maximum tension is 200 N for the cable profiles ABCD as shown in Fig 4 c. Determine the force P at B and C to keep the segment BC in horizontal position. Also find tension in segment BC. [4]

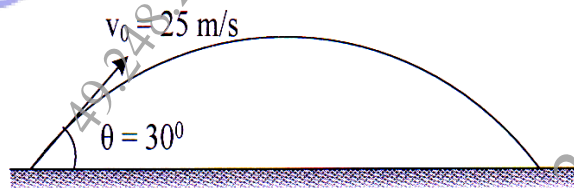


**Fig. 4 b**



**Fig. 4 c**

- Q5)** a) A car comes to rest from an initial speed of 80 km/h in a distance of 30 m. With the same constant acceleration, determine the distance 's' for which the car comes to rest from an initial speed. of 110 km/h. [5]
- b) A particle moves along the path  $x = (8t^2)$  and  $y = (t^3 + 5)$ , where x and y is in m and t is in seconds. Determine the magnitude of the particle's velocity and acceleration when  $t = 3$  s. [6]
- c) A projectile is launched with a speed of  $v_0 = 25$  m/s at an angle of  $\theta = 30^\circ$  with horizontal as shown in Fig. 5 c. Determine the maximum distance travel by projectile along horizontal and vertical direction. [6]

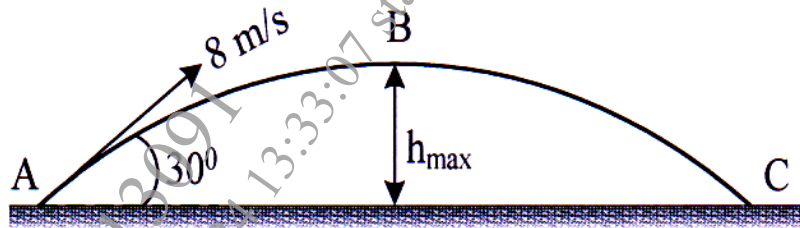


**Fig 5 c**

OR

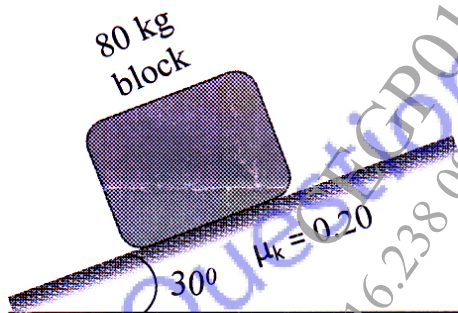
- Q6)** a) The motion of a particle is defined by  $x = 2t^3 - 15t^2 + 24t + 4$ , where x is in m and t is in s. Determine when the velocity is zero and find position at which acceleration is zero. [5]
- b) A car is traveling along a circular curve that has a radius of 50 m. If its speed is 16 m/s and tangential component of acceleration  $a_t$  is  $8 \text{ m/s}^2$ , determine the magnitude of its total acceleration at this instant. [6]

- c) A projectile is thrown in the air with a speed of 8 m/s and at an angle  $\theta = 30^\circ$  with the horizontal, as shown in Fig. 6 c. Determine the horizontal distance it must travel to reach its highest point B. [6]

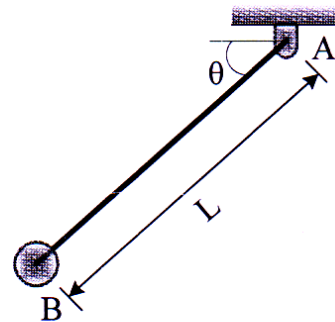


**Fig. 6 c**

- Q7) a) An 80 kg block rests on a plane as shown in the Fig. 7 a. Find the acceleration with which block slides down using Newton's second law if coefficient of kinetic friction is,  $\mu_k = 0.20$ . [6]
- b) The pendulum bob has a mass  $m$  and is released from rest as shown in Fig. 7 b when  $\theta = 0^\circ$ . Determine the tension in the cord as function of the angle of descent  $\theta$ . Neglect the size of bob. [6]



**Fig. 7 a**



**Fig. 7 b**

- c) A 20 Mg railroad car moving with 0.5 m/s speed to the right collides with a 35 Mg car which is at rest. If the coefficient of restitution between the two cars is  $e = 0.65$ , determine the speed of the cars after the collision. [5]

OR

- Q8) a) The system shown in Fig. 8 a is initially at rest. Neglecting axle friction and mass of pulley, determine the acceleration of 200 kg block A. [5]

- b) The man has a mass of 80 kg and sits 3 m from the center of the rotating platform as shown in Fig. 8 b. Due to rotation his speed is increase from rest by  $a_t = 0.4 \text{ m/s}^2$ . If the coefficient of static friction between the clothes and the platform is  $\mu_s = 0.3$ , determine the time required to cause him to slip. [6]

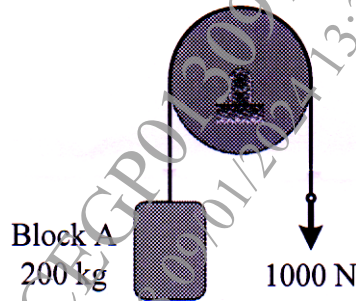


Fig. 8 a

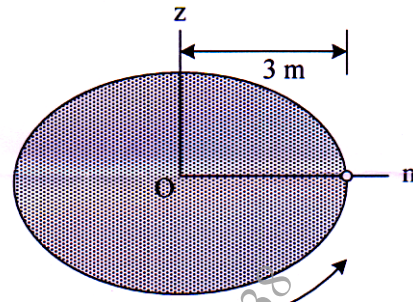


Fig. 8 b

- c) A ball has a mass of 30 kg and is thrown upward with a speed of 15 m/s. Determine the time to attain maximum height using impulse momentum principle. Also find the maximum height. [6]

